



## 2020 RECESS ASSIGNMENT

### S.5 TECHNICAL DRAWING

#### PAPER TWO

Fig 1 is a residential house not drawn to scale. Study it and answer the questions that follow.  
All openings are bridged with concrete lintels  
The beam is 225mm wide and 230mm high.

#### **SPECIFICATIONS:**

The apron is 600mm wide and 150mm thick.

Roof:           Pitched at 30°; covered with corrugated iron sheets.  
                  On 50mm X 50mm battens,  
                  Timber rafters 100mm x 50mm,  
                  Struts 100mm x 50mm,  
                  Purlins 100mm x 50mm,  
                  Tie beams 150mm x 50mm,  
                  Wall plates 100mm x 75mm.  
                  Fascia boards and barge boards 225mm x 25mm.

Walls:           3000mm high and 230mm thick,  
                  Concrete window sills are 100mm thick.

Doors:           The front doors are 1000mm wide and 2100 high double leaf casement. The  
                  garage door is metallic double leaf 2700mm wide and 2100mm high. All the other  
                  doors are two paneled wooden doors 900mm x 2100mm.

Windows:       W1 is 1200mm x 1200mm steel casement; W2 is 600mm x 900mm.

1. Draw the plan to a scale of 1: 50
2. Draw section A – A to a scale of 1: 50
3. Draw the front view to the same scale (1: 50)
4. Draw a pictorial sketch of the house with corner P in the fore ground.

End

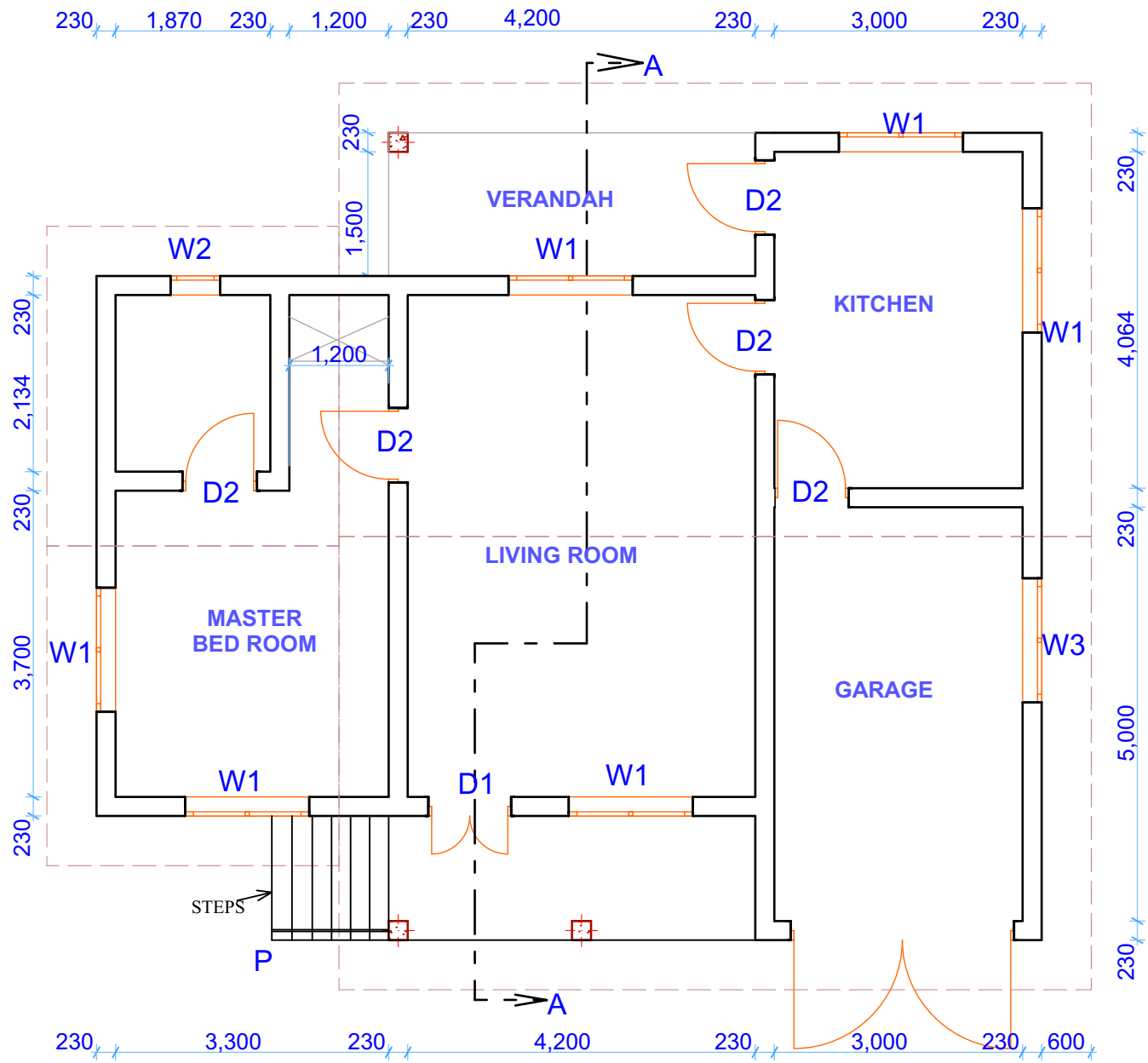


FIG. 1